



LV 6.5kWh Lithium Iron Phosphate Battery

Residential Energy Storage System User Manual



Date: 2023-06-06



This document describes the application scenarios, installation, electrical connection, commissioning and troubleshooting of 6.5kWh Battery (hereinafter simply put as battery) for Residential Energy Storage.

Before installing and operating battery, please ensure that you are familiar with product features, functions, and safety precautions as provided in this document.

Warning and caution messages are listed in the document to remind users, installers and maintainer of safe operation.


Symbol	Description
	Indicates a potentially hazardous situation, if not avoided, could result in serious injury or death.
	Indicates a potentially hazardous situation, if not avoided, may result in minor or moderate injury.

Contents

1 Important Safety Information	1
1.1 Warning Label	1
1.2 Precautions	1
1.3 Responses to Emergencies	2
2 Introduction to Battery	3
2.1 Application Scenarios	3
2.2 Product Features	3
2.3 Appearance	4
2.4 Technical Parameters	5
3 Battery Storage and Transportation	7
3.1 Safe Storage	7
3.2 Safe Transportation	7
4 Tools and Protection Equipment	8
5 Installation	9
5.1 Basic Requirements	9
5.2 Install Battery	10
5.2.1 Wall Mounted Installation	10
5.2.2 Floor Standing Installation	12
6 Electrical Connection	13
6.1 Power Terminals and Network Ports	13
6.2 Prepare Cables	14
6.3 Connect One Battery	15
6.4 Connect Batteries in Parallel	16
7 Power on/off Battery	19
7.1 Power on Battery	19
7.2 Power off Battery	20
8 Maintenance	21
8.1 Preparation	21
8.2 Battery Replacement	21
8.3 Firmware Upgrade	21
8.4 Troubleshooting	22
9 Product Liability	24
10 Recycle	25



1 Important Safety Information



1.1 Warning Label

	Do not dispose battery in household trash.		Battery is heavy enough to cause severe injury.
	Recyclable.		Keep battery away from children.
	Certification in European Union area.		Do not reverse polarities.
	Risk of electric shock.		Do not expose battery to flame.
	Explosive gas.		Operate as specified by the manual.
	Battery may leak corrosive electrolyte.		Read the manual before operating.

Nameplate

Warning Label

 Lithium Ion Battery IFpP16/122/360/[2P16S]M/-10+50/90	
Model	iHome-B6.5-L01
Nominal Voltage	51.2V
Total/Rated Capacity	128Ah/118Ah
Total/Rated Energy	6.5kWh/6.0kWh
Ingress Protection	IP55
Operating Ambient Temperature	-10°C~50°C
Max. Short Current and Duration	2200A, 4ms
Operating Voltage Range	48V~57.6Vdc
Max. Charge/Discharge Current	104.2A
Max. Charge/Discharge Power	5.0kW
Protection Class	I
 Made in China	

 WARNING AVERTISSEMENT	
<ol style="list-style-type: none"> Do not disassemble or alter the battery in any way. Ne démontez ni modifiez la batterie en aucune façon. Do not use the battery for purposes not described in its documentation. N'utilisez pas la batterie à des fins non décrites dans sa documentation. Do not drop, strike, puncture, or step on the battery. Ne laissez pas tomber, ne heurtez pas, ne percez pas et ne marchez pas sur la batterie. In case of electrolyte leakage, keep leaked electrolyte away from contact with eyes or skin, immediately clean with water and seek help from a doctor. En cas de fuite d'électrolyte, évitez tout contact de l'électrolyte qui fuit avec les yeux ou la peau, nettoyez immédiatement avec de l'eau et demandez de l'aide à un médecin. Do not put the battery into a fire. Do not use it or leave it in a place near fire, heaters, or high temperature sources. Ne mettez pas la batterie au feu. Ne l'utilisez pas et ne la laissez pas à proximité de feux, de radiateurs, ou de sources de températures élevées. Do not submerge the battery in water, or expose it to moisture. Ne plongez pas la batterie dans l'eau et ne l'exposez pas à l'humidité. Do not allow the terminals to contact exposed wire or metal. Ne laissez pas les bornes entrer en contact avec du fil ou du métal exposé. The battery is heavy and can cause injury if not handled safely. La batterie est lourde et peut provoquer des blessures si elle n'est pas manipulée en toute sécurité. Keep out of reach of children or animals. Tenir hors de portée des enfants ou des animaux. 	

1.2 Precautions

Risks of electrolyte leakage

- Do not subject battery to strong impact.
- Do not crush or puncture battery.
- Prevent battery from falling. In case of fall, turn off the battery immediately and stop using it.
- Do not open or mutilate batteries. Released electrolyte is harmful to the skin and eyes.

Risks of fire

- Do not expose battery to direct sunlight.
- Avoid contact with conductive objects such as wires.

- Keep battery away from fire source, inflammable, explosive and chemical materials.
- Do not dispose of batteries in a fire. The batteries may explode.

Risks of electric shock

- Do not touch battery with wet hands.
- Keep battery away from children and animals.
- A battery can present a risk of electric shock and burns by high short-circuited current.
- Battery installation and wire connection must be operated by professionals.

Risks of damage

- Keep a distance to water source.
- Do not subject battery to high voltage.
- Place battery on a flat surface. Do not place any foreign object on top of battery nor step on battery.
- Battery-connected PCS should have reinforced insulation.

1.3 Responses to Emergencies

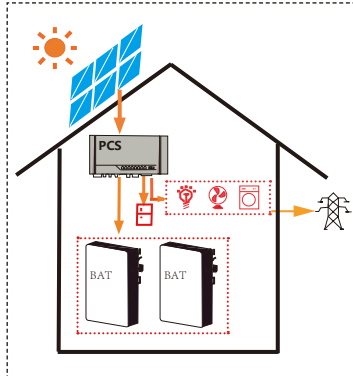
Event	Description and recommended actions
Leakage	Inhalation: leave the contaminated area right now. <ul style="list-style-type: none"> • Swallow: induce vomiting. • Contact with eyes: flush eyes with flowing water for 15 minutes. • Contact with skin: wash thoroughly with soap and water. • Immediately seek for medical intervention after taking emergency measures.
Fire	Battery may catch fire when heated above 150°C. Please implement the following actions: <ul style="list-style-type: none"> • Extinguish fire before the battery catches fire. ABC or carbon dioxide extinguisher is recommended. • If the fire is too strong to put out, move battery to a safe place before it catches fire. • If battery is on fire, evacuate people first before seeking help from professional fire protection personnel. • If battery catches fire during charging, turn off the breaker between battery and PCS when safety can be guaranteed.
Wet battery	If battery became wet or has been submerged in water, do not access it. Immediately contact your distributor for technical assistance.
Damage	Damaged battery is dangerous and must be handled with utmost care. They are not usable for use and could pose a safety threat to people or property. If battery is suspected to be damaged, stop any operation and return it to distributor.

2 Introduction to Battery

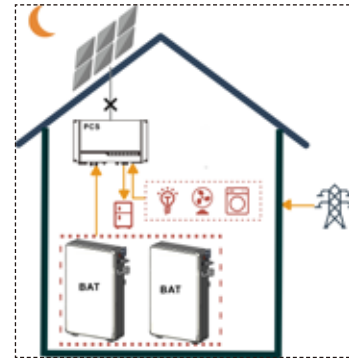
The battery is a 6.5kWh LiFePO4 pack. It has a 48V battery module as the main power supply unit which composed of 32 64Ah cells in two parallel and sixteen serial connect (2P16S). Battery coordinates with PV, power conversion system (PCS), Grid, DC Breaker and loads in the residential energy storage system.

2.1 Application Scenarios

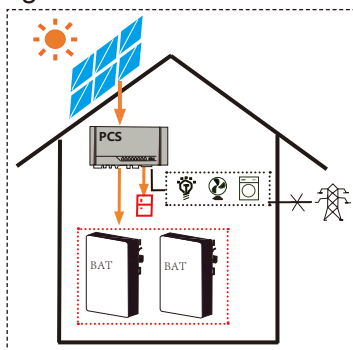
The four typical application scenarios are as shown below:



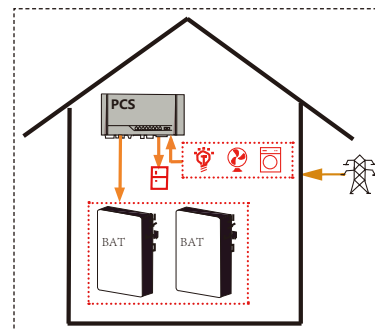
The energy produced by PV is optimized to supply loads. The excess energy is used to charge battery, then export to grid.



Battery powers loads at nighttime when there is no PV. If battery energy is insufficient, it can power loads together with grid.



When grid falls, battery and PV can power loads.



Battery can be charged by grid. Users are suggested to store energy from grid to battery when electricity price is relatively lower.

2.2 Product Features

Compared with normal batteries, the battery is characterized with better charging and discharging performance, longer cycle life and less self-discharging loss. The build-in BMS can monitor battery operation status and alarm timely to avoid operation out of limit. A maximum of 8 batteries can be parallel-connected to expand energy and power of energy storage system. Battery realizes communication with PCS via CAN network port.

- Monitoring:
Detect the voltage and temperature of cell, the voltage and current of battery.
- SOC estimate:
Indicate the precise volume of remaining electricity.
- Alarm:
Alarm when overvoltage, under voltage, overcurrent, over temperature or under temperature occurs.
- Protection:
Protect against over voltage, under voltage, over current, over temperature, under temperature, cell fault and hardware failure.
- Report:

Report alarm messages and operation data to inverter via CAN network ports.

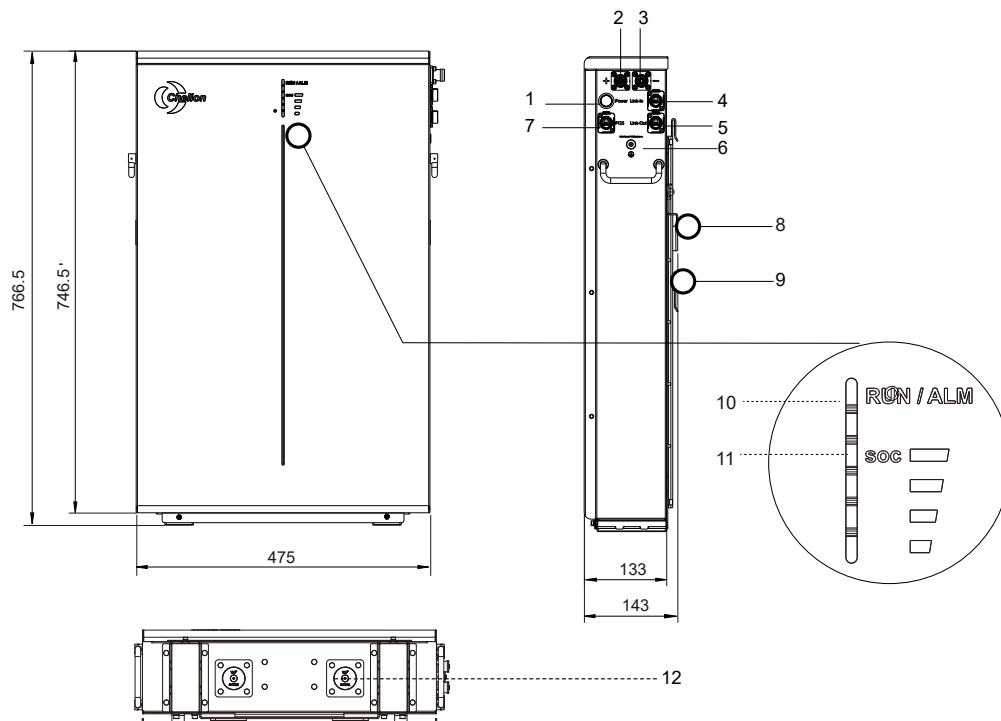
- Parallel connection:
Support a maximum of 8 batteries in parallel connection.
- Power-off triggered by fault:
Battery powers off if level three under voltage, 0V cell or parallel connection failure happens.
- Forced power-off:
When battery does not connect to mains supply, hold POWER button for two seconds and battery powers off.
- Activation:
Input 45V~60V via P+/P- terminals, battery will be activated from off mode to standby status.

2.3 Appearance


The battery is an energy storage unit composed of cells, mechanical parts, battery management system (BMS) as well as power and signal terminals. Product dimensions (unit: mm) and appearance are as shown below:

Table 2-1 Mechanical features

No.	Item	Specifications
1	Dimensions	W475*D133*H746.5mm
2	Weight	≤59kg
3	Installation	Wall-mounted installation/floor standing installation



No.	Label	Description
1	POWER	Power button to turn on/off the Battery
2	+	Battery cathode output
3	-	Battery anode output
4	Link-In	Input network port for parallel connection
5	Link-Out	Output network port for parallel connection

6		Grounding terminal
7	PCS	Network port for communication with inverter
8	/	Support bracket for wall-mounted installation
9	/	Limiting notch for wall-mounted installation or Anchor for floor-standing installation
10	RUN/ALM	LED indicator of running status and alarm
11	SOC	LED indicator of battery SOC
12	/	Safety vent

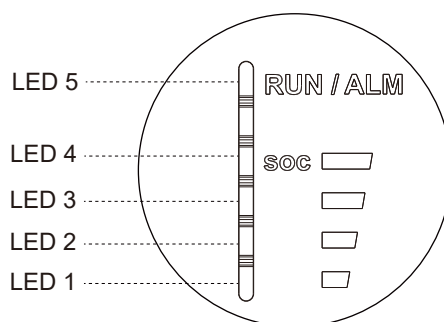


Table 2-2 LED Indication

Battery Status	PACK Information	SOC				Bi-colour
		LED1	LED2	LED3	LED4	LED5 (BLUE/RED)
charge	0%-25.0% SOC	■				●
	25.1%-50.0% SOC	■	■			●
	50.1%-75.0% SOC	■	■	■		●
	75.1%-99.9% SOC	■	■	■	■	●
	100% SOC	●	●	●	●	●
Discharge & Standby	100%-75.1%	●	●	●	●	●
	75.0%-50.1%	●	●	●		●
	50.0%-25.1%	●	●			●
	25.0%-0%	●				●

● LED On ■ LED flickers

2.4 Technical Parameters

No.	Items	Specifications
1	Total Capacity/ Energy	128Ah/6.5kWh
	Rated/Usable Capacity/Energy	118Ah/6.0kWh
2	Nominal Voltage	51.2 V
	Operating Voltage	48~57.6V

3	Max. continuous charging current	-10°C≤T<0°C: 21.3A 0°C≤T<5°C: 32A 5°C≤T<15°C: 64A 15°C≤T<45°C: 104.2A 45°C≤T<50°C: 64A 50°C≤T<55°C: 32A
4	Max. continuous discharging current	-10°C≤T<0°C: 21.3A 0°C≤T<45°C: 104.2A 45°C≤T<50°C: 85.3A 50°C≤T<55°C: 32A
5	Peak Charging/Discharging Current	125A/3s
	Max. Charging/Discharging power	5kW (15°C~45°C)
	Peak Charging/Discharging power	6.9kW/3s (SOC≥20%, 25°C)
6	Operating ambient temperature	-10°C~50°C
	Recommended operating temperature	15°C~30°C
7	Storage conditions	Temperature: -20°C~+ 45°C, 6 months; -30°C~ -20°C, 45°C~ 60°C, 7 days; (for shipping state) Humidity: 5%-95%RH Within 6 month after each charge
8	RTE	94%, 0.2C charge/discharge 25°C
9	DOD	94.5%
10	Calendar Life (25°C)	10 years
11	Cycle life	≥6000cycle/60%SOH (94.5%DOD,25°C)
12	Cooling	Natural cooling
13	Ingress protection	IP55
14	Max. operation altitude	≤2000m
15	Cell safety certification	IEC62619
16	Battery safety certification	IEC6240/IEC62619/ EN61000/ CE /RCM
17	UN transportation test standard	UN38.3+PI965 (Sea)
18	Environmental protection certification	RoHS, REACH
19	Communication with PCS	CAN
20	Parallel connection	Maximum 8 batteries

Unless otherwise specified, all tests stated above are conducted at below conditions:

Temperature: 25±2°C;

Humidity: 5RH-95%RH

3 Battery Storage and Transportation

3.1 Safe Storage

Life	Temperature	Humidity
7 days	-30°C to -20°C or 45°C to 60°C	5%RH-95%RH
180 days	-20°C to 45°C	5%RH-95%RH

If the battery is not used for more than 1 week, store it in accordance with the requirement for storage conditions.

- Place battery according to signs on packing case.
- Do not put battery upside down or sidelong.
- Store batteries in a place free from direct sunlight and rain.
- Keep batteries at least two meters away from a heat source (such as a radiator).
- Avoid contacting with corrosive and organic substances (including gas exposure).
- Batteries with deficiencies should be separated from normal batteries by setting wall between or placing in difference fire protection zones.
- Ambient temperature ranges between -30°C to 60°C during the first seven days, and ranges between -10°C to 45°C within six months. Relative humidity ranges between 5%RH-95%RH.
- Keep the storage area dry, clean and well ventilated.

In case of storage over 6 months, batteries should be recharged in the following steps:

1. Identify batteries that need recharging;
2. Ensure batteries in power-off mode. Refer to Quick Guidance to complete wire connection;
3. Set "CV=56.8V, CC=16A (5°C-45°C)";
4. Recharge until LED2 flicks.

3.2 Safe Transportation

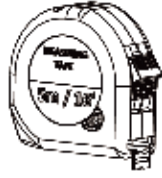
Battery has cleared UN38.3 (Section 38.3 of the seventh Revised Edition of the Recommendations on the Transport of Dangerous Goods: Manual of Tests and Criteria) and SN/T 0370.2-2009 (Part 2: Performance Test of the Rules for the Inspection of packaging for Exporting Dangerous Goods). The battery is classified as class 9 dangerous goods, and is subject to land and water transportation. It is mandatory to report to the airline company and obtain approval before air transport.

- Before transportation, hold POWER button for two seconds and five LED lights flicker for three times to power off battery.
- During transportation, keep battery flat, do not have battery stand on or lean against the floor to avoid possible crash.
- Maintain temperature between -20°C to 45°C during the transportation.
- Prohibit mixing up with explosive, inflammable or toxic objects.
- Use van-type vehicle including container and metallic van-type vehicle. Platform vehicle and convertible are prohibited.
- Do not pile up foreign objects on the top of battery. Four batteries at most can be piled up.
- Maintain original packaging and keep labels complete and recognizable.
- Prevent from direct sun exposure, rain, condensation and mechanical damages.

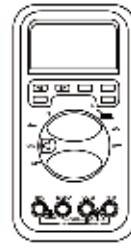
4 Tools and Protection Equipment



Drill



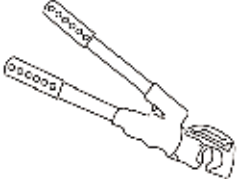
Measure tape



Multi-meter



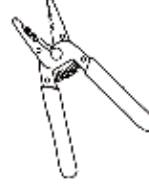
Pencil



Hydraulic plier



Wire crimper



Wire stripper



Wire cutter



Hex key #5



Insulation gloves



Safety goggles



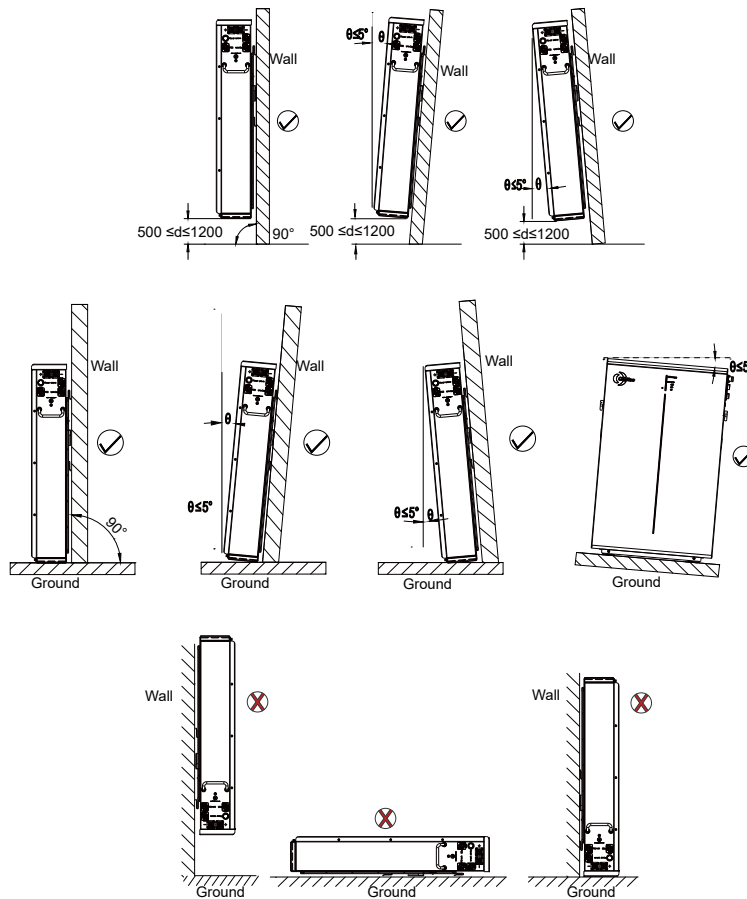
Rubber boots

5 Installation

5.1 Basic Requirements

Battery can be installed indoors or outdoors. Ensure the following conditions are satisfied:

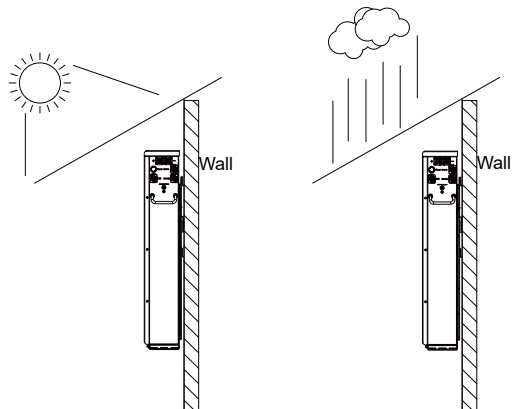
- A deviation of $-5^\circ \leq \theta \leq 5^\circ$ is allowed for both installation against wall and floor.
Please refer to figures below (\checkmark means acceptable installation and X unacceptable).



CAUTION

Do not place the battery upside down nor keep it flat as above.

- It is recommended to build sunshade & rain shelter to avoid direct exposure to sunlight and rain.





CAUTION

- Keep the dirt or dust at a minimal level;
- Do not install battery in a place where flood frequently occurs;
- Do not install battery in highly humid area such as bathroom;
- Ensure direct contact between battery shell and ambient air. Do not cover or shield battery to avoid poor cooling.

5.2 Install Battery

Pre-installation Check

- Check exterior package

Before opening package, check for damages like holes, cracks or other traces on exterior packing case. If any abnormality is detected, do not open the package and contact your distributor.

- Check deliverables

After opening package, check if deliverables are complete. If there is any part missing or damaged, please contact your distributor.

Accessory list

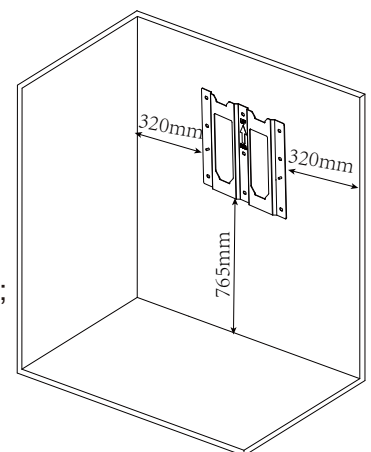
Accessories	
Battery	1pcs
Wall-mounted bracket	1pcs
Fastenings	M8 expansion bolt 9pcs M8*H60 anchor 9pcs M6 screw for grounding 1pcs Bubble level 1pcs
Grounding cable	1pcs
Terminator	2pcs

5.2.1 Wall Mounted Installation

Step 1. Confirm installation spot.

At least two persons participate the installation.

1. One person places the bracket on wall and ensures the bubble level horizontal;
2. The other person marks spots of screw driving.
3. After confirming the spots to drive screws, put down the bracket.



CAUTION

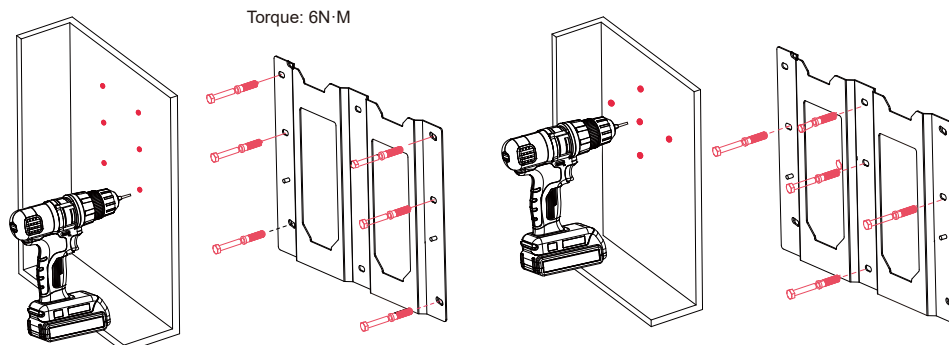
- The weight capacity of wall should exceed 4 times weight of battery.
- Installer should consider the specific wall shape before choosing drilling spots.

Step 2. Fix bracket to wall.

1. Choose alloy drill bit with a diameter of 12 mm and install it to a drill.
2. Drill in the spots that have been located in step 1 and have at least 60mm drilling depth.
3. Clean the dust and drive expansion tube into the hole.
4. One person puts the bracket on wall and keep bubble level horizontal.
5. The other person drives M8 screw through the bracket into hole till the end.

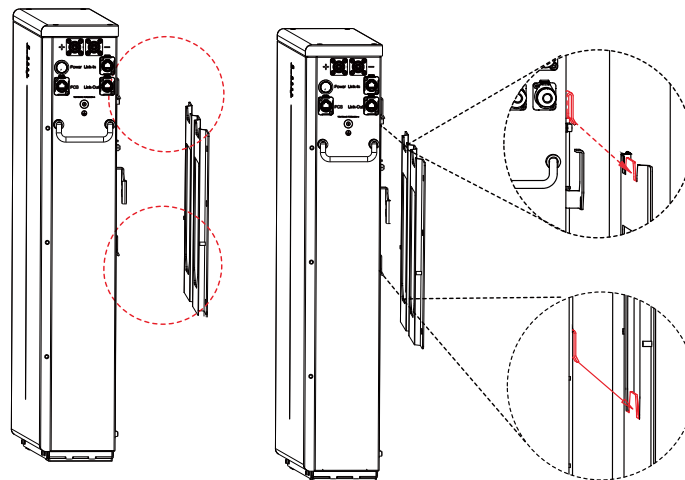
There are two spot drilling proposals available:

- For a wall with its main supporting beams at a distance of 16 inches, adopt the first drilling plan.
- For a wall with its main supporting beam at a distance of 24 inches, adopt the second drilling plan.

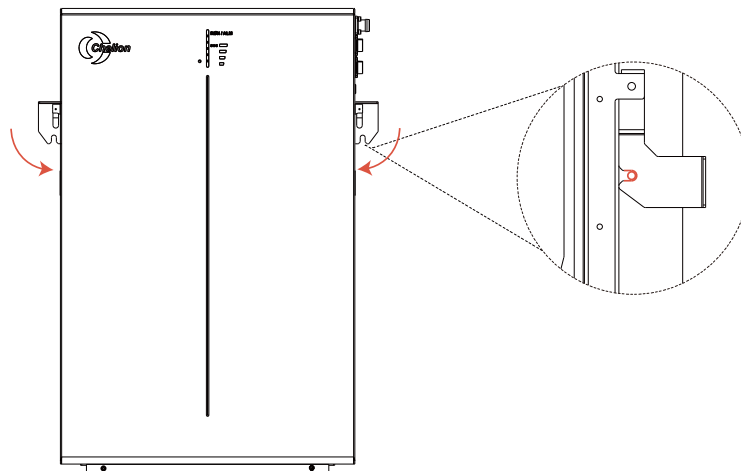


Step 3. Fix battery on bracket.

1. Rotate the left latch leftward and the right latch rightward until they keep perpendicular to the battery.
2. Install battery from the top down and lock the connection part of battery with the support plate of bracket.



3. Rotate the left latch rightward until the notch locks limiting pin, and rotate the right latch leftward until the notch locks limiting pin too.



Step 4. Confirm that the battery is installed properly.

1. Visually inspect the two upper joints to guarantee a stable connection between battery and bracket.
2. Pull the lower part of battery away from wall and ensure that the battery cannot be moved at all. Otherwise, please connect the battery and bracket again until confirming a fixed connection.

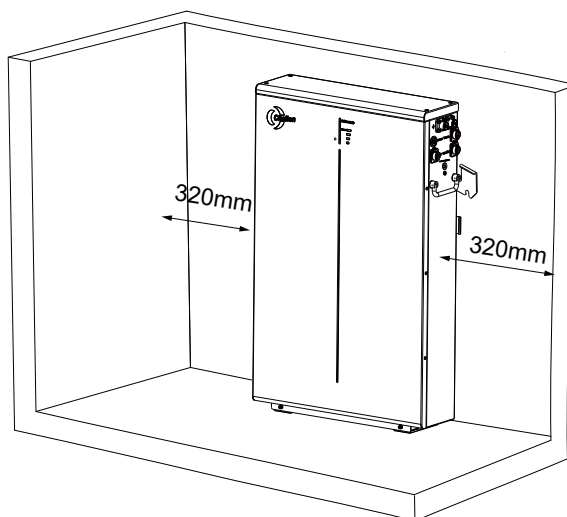


- Leave a minimum clearance of 133 mm before the front surface of battery.

5.2.2 Floor Standing Installation

Step 1. Confirm installation spot.

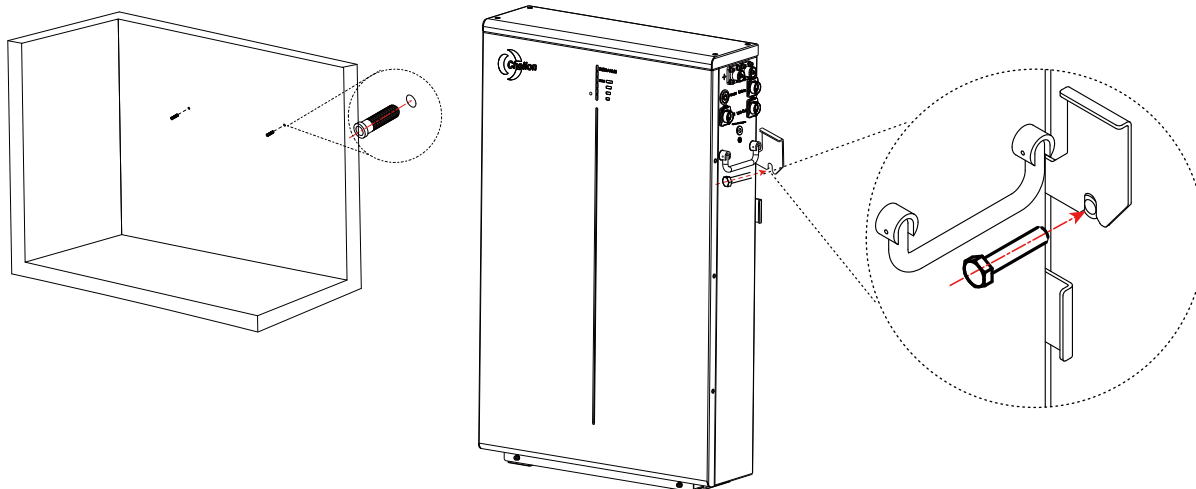
1. Place battery in the to-be installed area.
2. Rotate the left latch leftward and the right latch rightward until they are perpendicular to the battery.



3. Use pencil to mark where the notches of two latches are and confirm the two drilling spots. Move battery away.

Step 2. Install battery.

1. Choose an alloy drill bit with a diameter of 12 mm and install it in the drill.
2. Drill two holes in the spots that have been confirmed in step 1.
3. Keep the drilling depth as least 60mm.
4. Clean the dust and drive expansion tube into hole.
5. Move battery back to the place confirmed in step 1.
6. Drive M8 screw through notch of latch into wall.



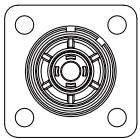
6 Electrical Connection

Battery can work in single mode and parallel mode. To make the battery work properly, follow the instructions below to correctly connect it.

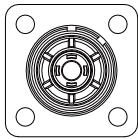
This chapter describes how to make cable and wires, and connect one battery and multiple batteries. If you have finished-cable and wires already, skip Section 6.1 and 6.2. Otherwise, read 6.1 and 6.2 carefully.

For AU market, to comply with AS/NZS 5139, an overcurrent protection and isolation devices are required between the inverter and battery and between parallel batteries.

6.1 Power Terminals and Network Ports

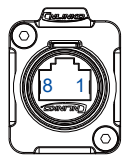


Black (-)

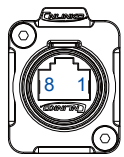
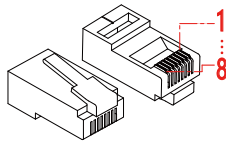


Orange (+)

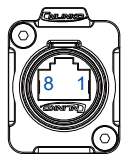
Terminal	Model	Cable Cross-Section
Black (-)	Sanco, ES090-01C25-1SYK-01	25 mm ²
Orange (+)	Sanco, ES090-01C25-2SYK-01	25 mm ²



PCS



Link-In

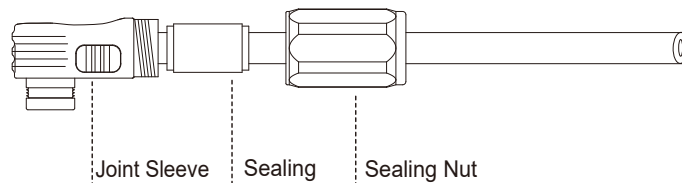


Link-Out

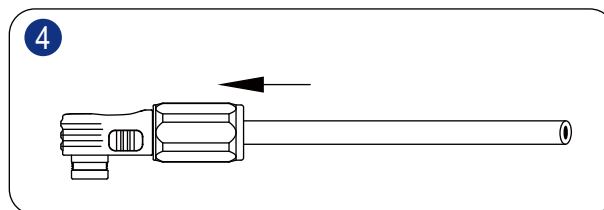
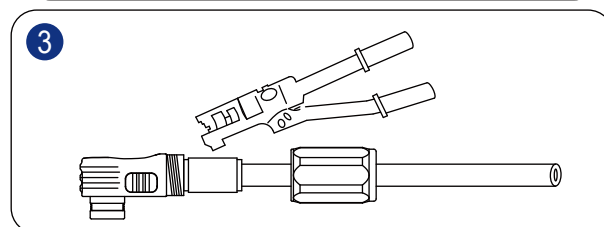
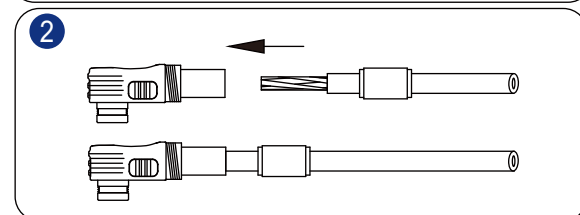
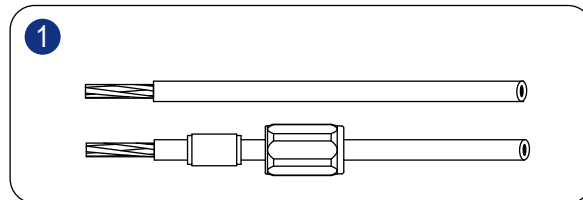
No.	PCS	Link-Out	Link-In
1	PCS-RS485-B	PACK-CANH	PACK-CANH
2	PCS-RS485-A	PACK-CANL	PACK-CANL
3	NC/GND-ISO	Encode-OUT+	Encode-IN+
4	PCS-CANH	GND-ISO	GND-ISO
5	PCS-CANL	Slave-Last	Master-Select
6	NC/GND-ISO	GND-ISO	GND-ISO
7	PCS-WAKE-	GND-ISO	NG/GND-ISO
8	PCS-WAKE+	COM-WKP-OUT	COM- WKP-OUT

6.2 Prepare Cables

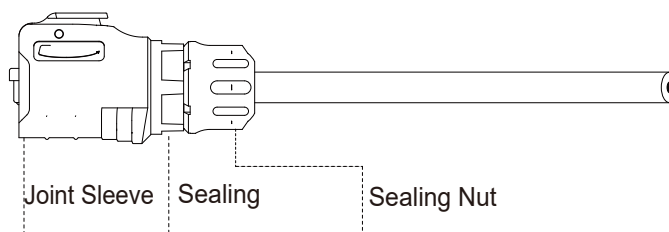
Step 1. Make power cables.



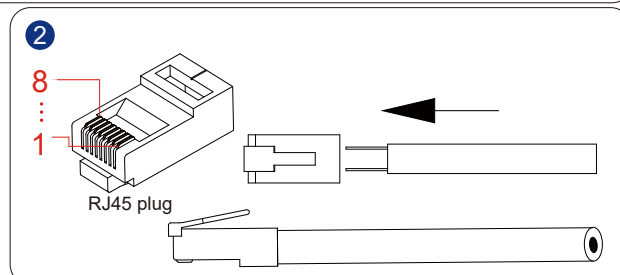
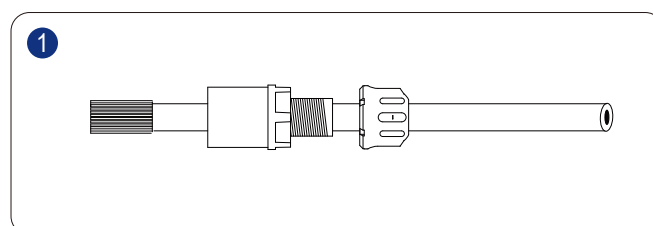
- Strip cable sheaths for 20 ± 0.5 mm and insert sealing and sealing nut along the cable.
Orange: positive cable
Black: negative cable
- Insert the copper wires all into the joint sleeve.
- Press connecting part with a hydraulic clamp.
- Tighten up sealing, sealing nut and joint sleeve.



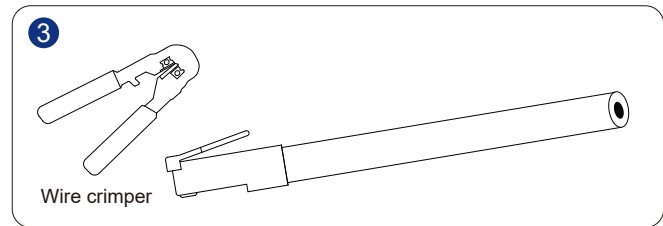
Step 2. Make network cables.



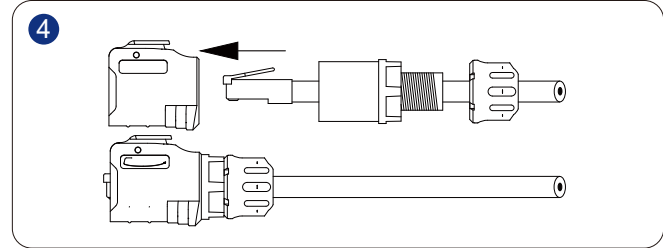
- Strip cable sheaths for 15 ± 0.5 mm first and insert sealing and sealing nut along the cable.
- Insert eight wires into RJ45 plug.
Network cable adopts standard 8-core cable.
Ensure all wires stay well aligned.
For Network Cable B that is used for parallel connection, ensure that the wire colors are pin-to-pin consistent at two ends.



3. Crimp the RJ45 plug with a wire crimper.



4. Connect RJ45 plug with joint sleeve, and tighten up sealing, sealing nut and joint sleeve.



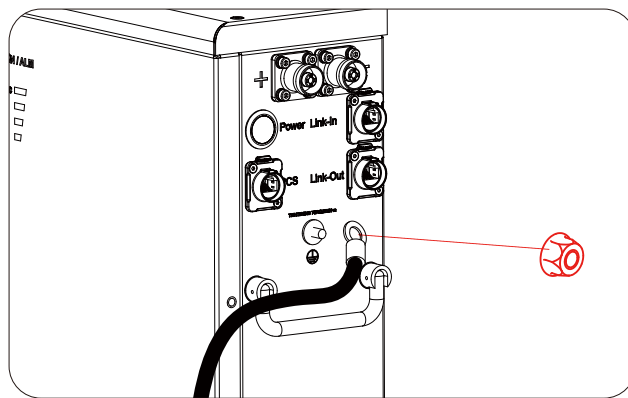
When making Network Cable B, process the other end in the same way.

6.3 Connect One Battery

Step 1. Measure battery voltage with a multi-meter and ensure the voltage output is 0V under power-off mode.

Step 2. Ground the battery.

Loosen the screw with a screwdriver, insert the conductive core of a grounding wire into the lug and fasten the screw again.

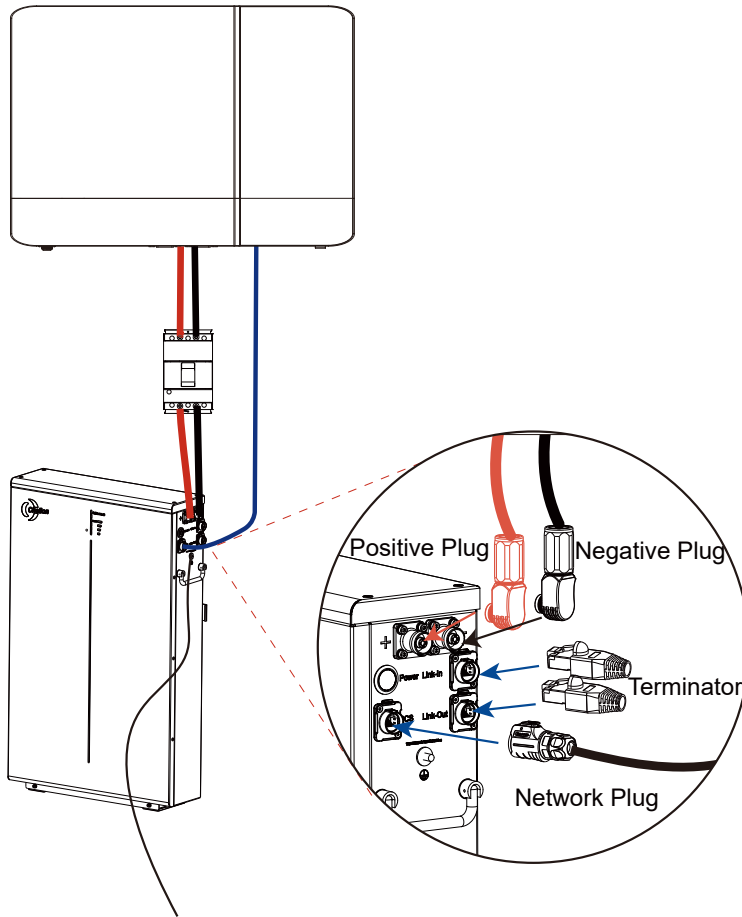


Step 3. Connect network cable.

1. Plug one end of Network Cable A into the **PCS** port of the battery and the other end into the network port of PCS.
2. Insert two terminators into **Link-In** and **Link-Out** of the battery respectively.

Step 4. Connect power cables.

Plug one end of the power cables into DC breaker, and plug the other end into the battery terminals.



- A manually operating breaker should be installed between battery and PCS to control the main circuit during installation, wire connection and maintenance.
- The breaker can be operated manually without using any tool and should be located near the battery.
- The distance between battery and the breaker should comply with local regulations.

6.4 Connect Batteries in Parallel

A maximum of eight batteries can be connected to one PCS in parallel to form one system.



Ensure batteries in parallel connection are from the same batch, same model and same manufacturer. Do not mix an old battery with a new battery. Batteries undergone less than 300 cycles are defined as new batteries.

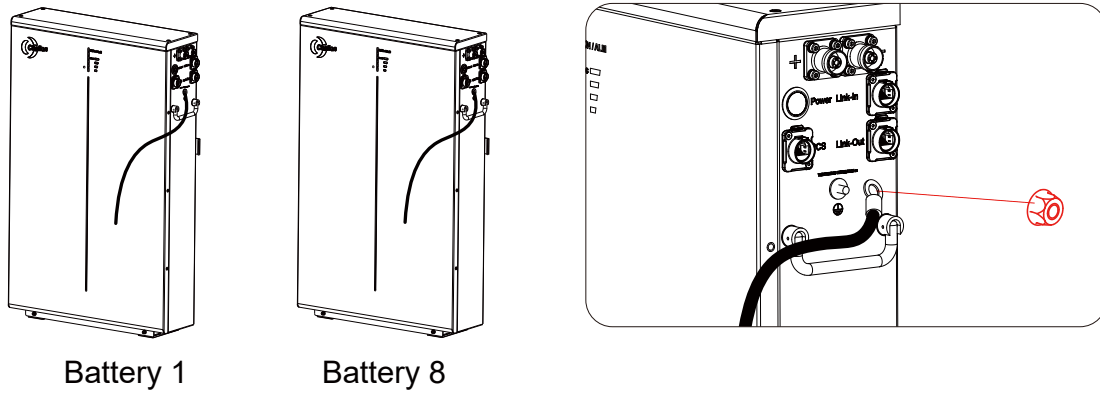
Batteries can be connected in parallel in the following way:

Step 1. Confirm that the voltage difference is not greater than 1V.

1. Power on the batteries without load and use a multi-meter to measure their voltages.
2. If the voltage difference is greater than 1V, charge the battery with lower voltage.

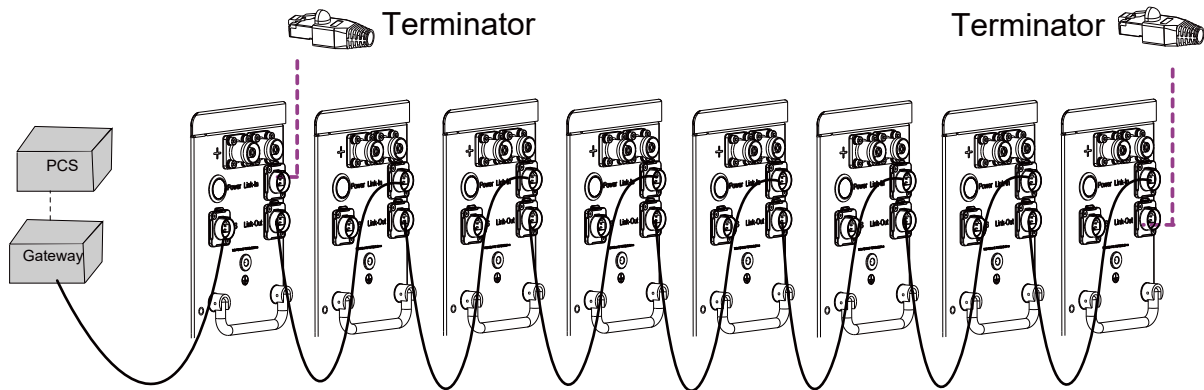
3. Power off the batteries.

Step 2. Fasten ground screws and grounding wires for the first and last batteries.



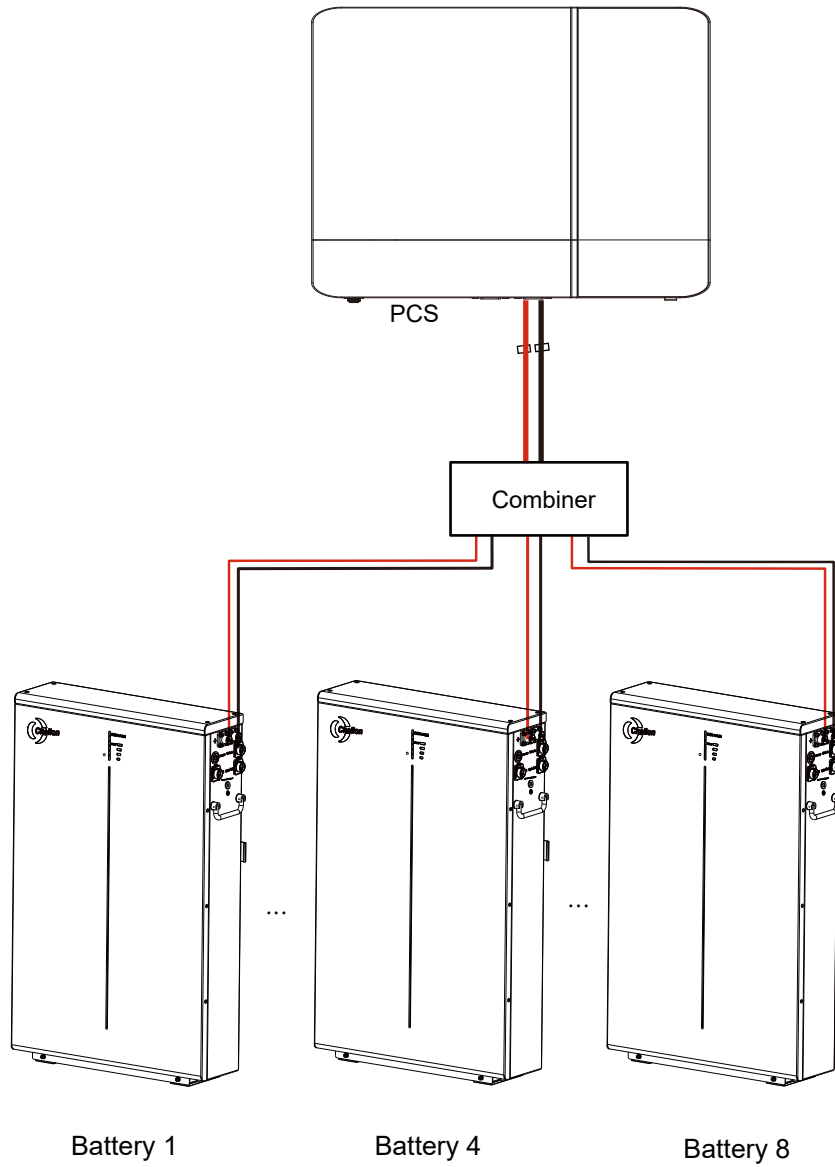
Step 3. Insert network cables into battery terminals.

1. Connect the **PCS** port of Battery 1 to the gateway by using network cable A.
2. Connect the **Link-Out** port of Battery 1 to the **Link-In** port of Battery 2 by using network cable B. The process goes on until the last battery is connected.
3. Insert two terminators into the **Link-In** port of Battery 1 and the **Link-Out** of Battery N respectively.



Step 4. Insert power cables into battery terminals.

1. Measure the positive and negative terminal blocks of each battery with a multi-meter, and ensure the voltage outputs under off mode are all 0V.
2. Plug one end of positive and negative power cables into a power combiner.
3. Plug the other end of power cables into battery terminals.
4. Connect the power combiner with one PCS.



7 Power on/off Battery



When operating or maintain the battery module, please strictly follow the safety instruction below:

- You must be a technician who goes through technical training and obtains certificates in compliance with local laws and regulations.
- Please stand on dry insulating objects and do not wear metal objects such as watches, rings and necklaces during operation.
- Use insulating tools and wear protective devices.
- Do not contact with two charged positions with a potential difference.
- Hang a prohibition sign that stops people approaching the battery.
- Measure battery voltage with a multi-meter and ensure voltage output in off mode is 0V.
- If any abnormality is detected, immediately power off the battery. Proceed again only after causes are confirmed.
- For AU market, since there are isolation devices required between the inverter and battery and between parallel batteries, it is recommended that if you want to start up, power on the battery first, then power on the isolation devices, and if you want to shut down, power off the battery first, then power off the isolation devices.

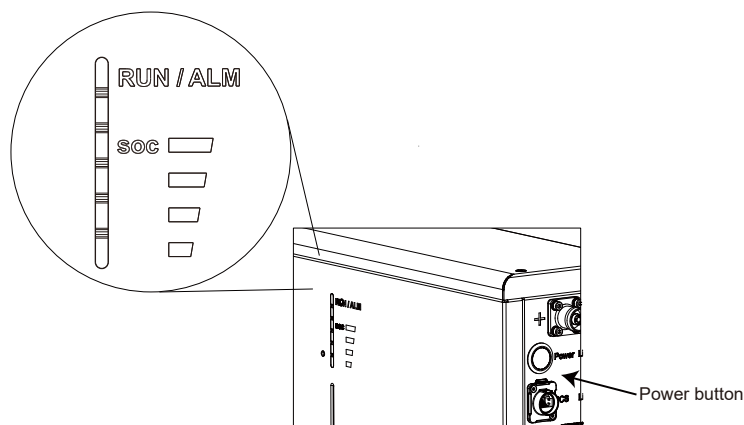
7.1 Power on Battery

Battery can be powered on by power button and activation signal from PCS. This section describes how to power on single battery and batteries in parallel.

By Button

Power on battery by button in the following way:

1. Push the breaker that is connected with battery to ON.
2. Hold the POWER button for two seconds.



RUN and SOC indicators turn on and indicate correct state. The battery is powered on successfully.

If ALM indicator lights up in red, a failure occurs. Troubleshoot the issue and power on the Battery again.

By Activation Signal

Power on one battery by activation signal in the following way:

1. Switch on the PCS and check the HMI screen of PCS to ensure that the PCS is empowered by PV or mains.

2. Push the breaker that is connected with battery to ON.
3. Send an activation voltage or wakeup signal through the PCS to the battery.
RUN and SOC indicators turn on and indicate correct state. The battery is powered on successfully.
If ALM indicator lights up in red, a failure occurs. Troubleshoot the issue and power on the battery again.

7.2 Power off Battery

- Hold the POWER button of any battery for two seconds.
Five LED lights will flicker for three times, and battery turns off.
- Turn off the inverter. Communication will drop for 60 minutes
Before five LED lights flicker for three times and battery turns off.
- Activate the Timing Power function and battery will power on automatically after 24-hour standby status.

8 Maintenance

8.1 Preparation

- Battery replacement should be conducted by professionals.
- Prepare tools like safety gloves, cross head driver and socket wrench.
- Ensure undamaged appearance and complete accessories of new battery.
- Do not change battery in rainy or stormy days.
- Open breaker and power off old battery;
- Confirm wire connection of new battery, close breaker and power on new battery.

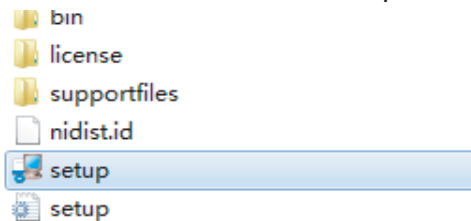
8.2 Battery Replacement

1. Wear safety gloves.
2. Switch off breaker, hold POWER button for two seconds to power off battery.
3. Unplug power cables and network cable from battery terminals.
4. For wall-mounted battery: rotate both latches upward. Two persons lift up battery off bracket.
For floor-standing battery: unscrew expansion screws with a cross-head screwdriver, rotate latches upward and move battery.
5. Two persons move battery via handles into packing case and transport battery to a designated repair site.
6. Install new battery.

8.3 Firmware Upgrade

Step 1. Install software

1. Choose file "BMS Installation package.zip" and decompress it.
2. Enter "BMS Installation package \Volume", double click "setup.exe" and run it.



3. Execute the default configuration until completing the installation.

Step 2. Make sure the battery stay in IDLE mode or battery relays cut off.

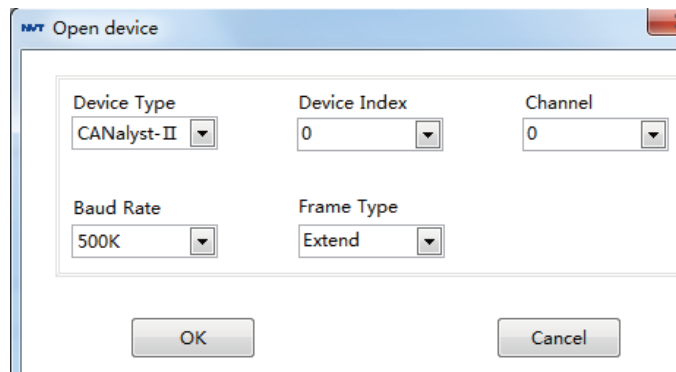
Step 3. Connect computer and the HOST network port on battery with CANalyst-II.

Step 4. Upgrade

1. Choose "Upgrade" as shown in the below figure.



2. Choose "CANalyst-II" for device type and "Extend" for Frame Type, set "500Kbps" baud rate. Keep other default parameters. Click "OK".



- Choose target upgrade file and click “Start to Upgrade”.
Upgrade succeeds when progress bar reaches 100%.



8.4 Troubleshooting

Battery Status	Battery Information	SOC				Bi-colour BLUE/RED	Remark
		LED1	LED2	LED3	LED4	LED5	
Remote		/	/	/	/	/	LED5 depending same as the normal status
Bootload		★	★	★	★	★	2HZ
Starting	Master/Slave	★	★	★	★	●	Master
		/	/	/	★	●	Slave 1
		/	/	★	/	●	Slave 2
		/	/	★	★	●	Slave 3
		/	★	/	/	●	Slave 4
		/	★	/	★	●	Slave 5
		/	★	★	/	●	Slave 6
		/	★	★	★	●	Slave 7
		★	/	/	/	●	Slave 8
		★	/	/	★	●	Slave 9
		★	/	★	/	●	Slave 10
		★	/	★	★	●	Slave 11
		★	★	/	/	●	Slave 12
		★	★	/	★	●	Slave 13
		★	★	★	/	●	Slave 14
/	/	/	/	●	Slave 15		

Application Mode checking	Parallel or single application mode checking success	SOC Display				★	Blink 5 times
	Waiting for parallel connection of PACK to power circuit	SOC Display				★	1Hz
Fault	Three-Level Cell Over Voltage	/	/	/	●	●	
	Three-Level Cell Under Voltage	/	/	●	/	●	
	Three-Level Over Temperature	/	/	●	●	●	
	Three-Level Under Temperature	/	●	/	/	●	
	Three -Level Over Current (charge or discharge)	/	●	/	●	●	
	Three -Level Under SOH	/	●	●	/	●	
	Internal communication	/	●	●	●	●	
	External communication	●	/	/	/	●	
	Parallel ID coding failure	●	/	/	●	●	
	FUSE fault	●	/	●	/	●	
	Parallel connection failure	●	/	●	●	●	
	Reserved	●	●	/	/	●	
	Reserved	●	●	/	●	●	
	Reserved	●	●	●	/	●	
BMS fault	●	●	●	●	●		

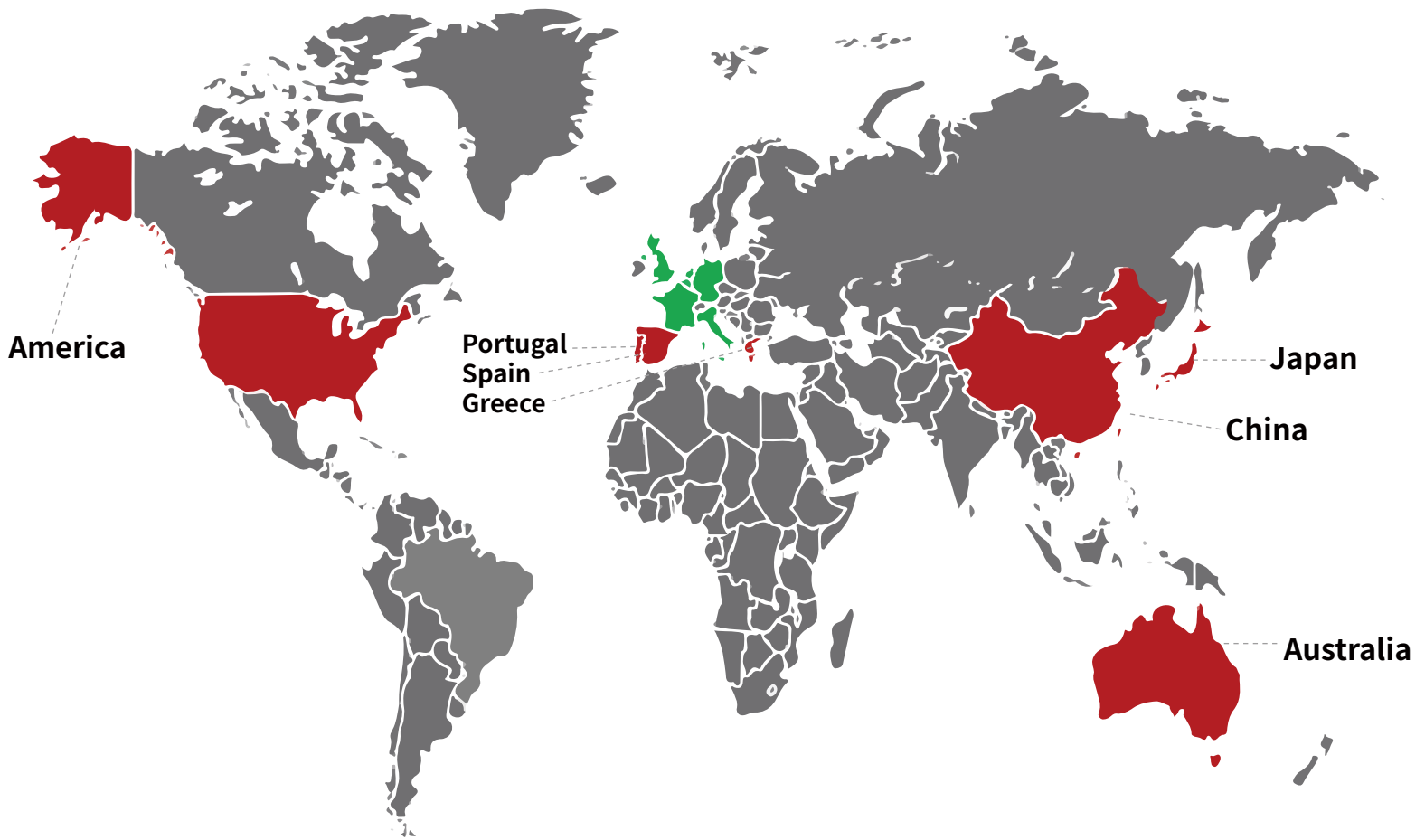
9 Product Liability

Chelion is not responsible for the incident caused by not obeying the Manual. Before using the battery, you should read the specifications, safety information and operation instructions carefully to learn its application method and scenarios. If the product or accessories are damaged by incorrect using method, wrong circuit connection, incorrect data settings, or working beyond limit defined in the Manual, Chelion does not provide any warranty or assume any accountability for the injuries or loss.

10 Recycle

Lithium ion batteries are recyclable, valuable resources and should be recycled according to the local laws or regulations. Do NOT throw your battery into household waste.

For information on used batteries, contact the place of purchase or your battery distributor.



Shanghai Chelion Renewable Technology Co., Ltd.

🏠 Room 2601, Tower A, Dawning Centre, 500 Hongbaoshi Road, Changning District, Shanghai, 201103, China.
 ✉ info@chelion.com
 ☎ (21) - 62378993
 🌐 www.chelion.com

Chelion Japan Co., Ltd.

🏠 27F Shinjuku Square Tower, 6-22-1 NishiShinjuku, Shinjuku-ku, Tokyo, 163-1127, Japan
 ☎ 03-6258-1677
 🌐 www.chelion.jp

Chelion America LLC.

🏠 4675 Stevens Creek Blvd, Ste 250 Santa Clara, CA 95051
 ☎ (408)-933-3974
 🌐 www.chelion.us

Shanghai Chelion Green Energy Co., Ltd.

🏠 Room 301, South Section, 3rd Floor, No. 1 Building, No. 24 Jiafeng Road, China (Shanghai) Pilot Free Trade Zone, 200131 Shanghai P.R. China
 ✉ info@chelion.com
 🌐 www.chelion.com

CHELION IBERIA, S.L.

🏠 C/ José Echegaray 8, Ed 3, Pl 1 Oficinas 8-9, 28232 Las Rozas, Madrid (España)
 ✉ info@chelion.eu
 ☎ +34 - 918398560
 🌐 www.chelion.eu

Chelion Australia Pty Ltd.

🏠 L13, 144 Edward Street, Brisbane, QLD, 4000
 ☎ 1300 208 962
 🌐 www.chelion.com.au